



Dune Series COMMERCIAL RECEPTACLES

Round receptacle with curvilinear rim, and clear powder-coated spun aluminum lid.



TO SPECIFY

Select the DS product number along with the options below.

Concrete Color

- Natural gray concrete
- Choose integral pigment color from Davis Colors (www.daviscolors.com), call/email us for a Davis Colors selector brochure
- Custom color mixing available

Finishing

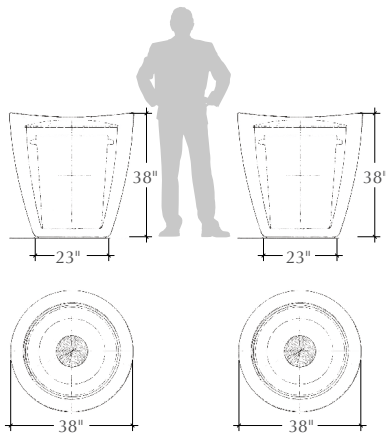
- Sandblast finish

Lids

- Model DS-TR is a trash only lid
- Model DS-TRA is a trash lid with an ash disposal channel

Notes

- A 32-gallon heavy-duty plastic waste can is included
- Metal components fitted with security chains
- Matching Dune Landscape Containers
- See website to download CSI specifications



Trash Only Lid

Trash & Ash Lid

DS-TR
1415 lb.

DS-TRA
1415 lb.



Trash Only Lid

Trash & Ash Lid

All weights are approximate

In 2007©, Larry Kornegay designed the Dune Trash Receptacle exclusively for Kornegay Design™ LLC