



a landscapeforms® company

Dune Series LANDSCAPE CONTAINERS

Tapered landscape container with curved rim.



TO SPECIFY

Select the DS product number along with the options below.

Drainage

- Standard diameter hole: approximately 1-1/4"
- 1-7/8" drainage hole for DS-29 & DS-40 models
- Custom size to function with irrigation & drainage (note size of plumbing fixture to be used)
- No drainage hole

Concrete Color

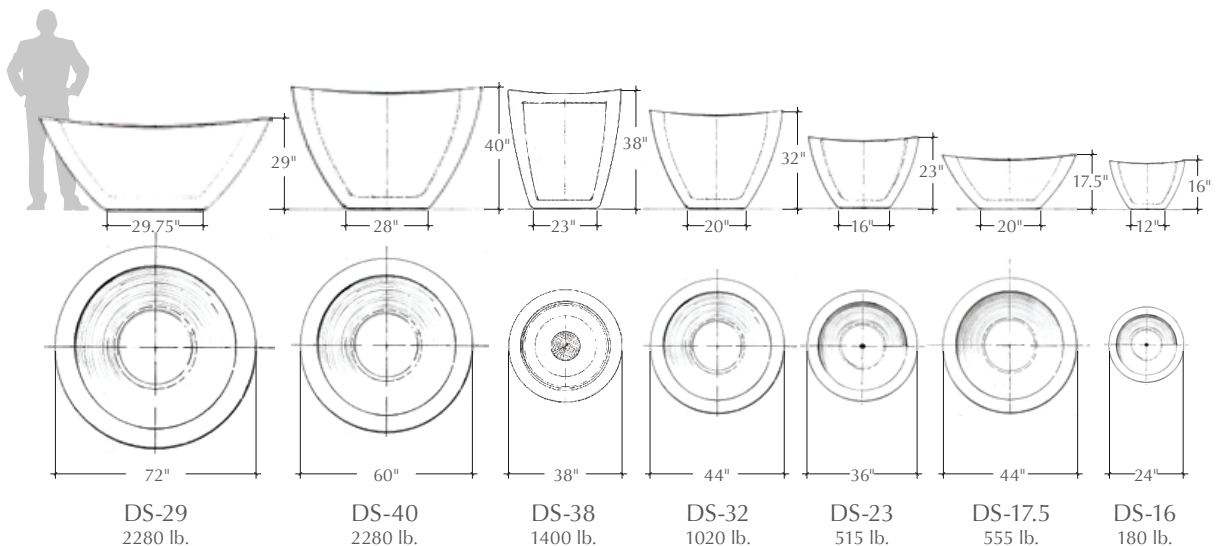
- Natural gray concrete
- Choose integral pigment color from Davis Colors (www.daviscolors.com), call/email us for a Davis Colors selector brochure
- Custom color mixing available

Finishing

- Bituminous sealer (suggested for interior applications)
- Sandblast finish

Notes

- Matching Dune Trash & Ash Receptacles
- See website to download CSI specifications



All weights are approximate

In 2004©, Larry Kornegay designed the Dune Series exclusively for Kornegay Design® LLC, a Landscapeforms® company