



a landscapeforms® company

## Nutshell Series LANDSCAPE CONTAINERS

Round landscape container with intricate nutshell surface pattern.



### TO SPECIFY

Select the NS product number along with the options below.

#### Drainage

- Standard diameter hole: approximately 1-1/4"
- Custom size to function with irrigation & drainage (note size of plumbing fixture to be used)

#### Concrete Color

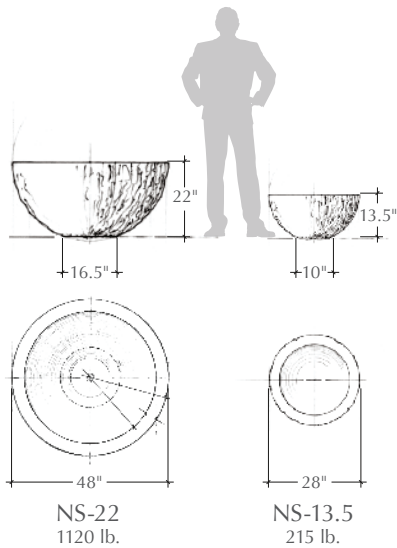
- Natural gray concrete
- Choose integral pigment color from Davis Colors ([www.daviscolors.com](http://www.daviscolors.com)), call/email us for a Davis Colors selector brochure
- Custom color mixing available

#### Finishing

- Bituminous sealer (suggested for interior applications)
- Sandblast finish

#### Notes

- See website to download CSI specifications



Weight is approximate

In 2001 and 2014 ©, Larry Kornegay designed the Nutshell Series exclusively for Kornegay Design® LLC, a Landscapeforms® company