



a landscapeforms® company

Faceted Series LANDSCAPE CONTAINERS

Tapered landscape container with faceted sides.



TO SPECIFY

Select the FS product number along with the options below.

Drainage

- Standard diameter hole: approximately 2-3/8"
- Custom size to function with irrigation & drainage (note size of plumbing fixture to be used)

Concrete Color

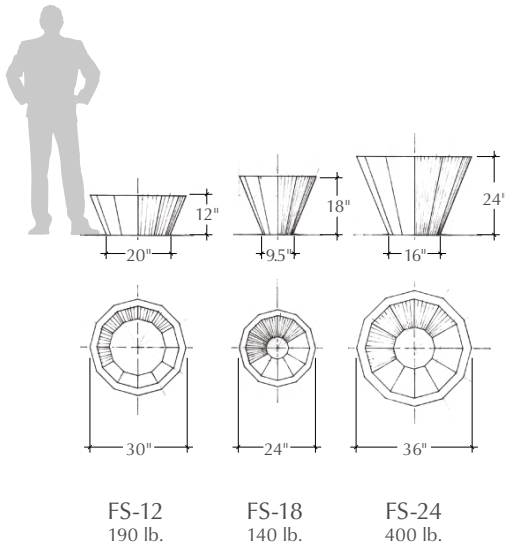
- Natural gray concrete
- Choose integral pigment color from Davis Colors (www.daviscolors.com), call/email us for a Davis Colors selector brochure
- Custom color mixing available

Finishing

- Bituminous sealer (suggested for interior applications)
- Sandblast finish

Notes

- See website to download CSI specifications



All weights are approximate

In 1999©, Larry Kornegay designed the Faceted Series exclusively for Kornegay Design® LLC, a Landscapeforms® company

v. 2018.03.27