



a landscapeforms® company

Masaru Series LANDSCAPE CONTAINERS

Tapered landscape container with horizontal detail, slightly sloped rim.



TO SPECIFY

Select the MS product number along with the options below.

Drainage

- Standard diameter hole: approximately 2-3/8"
- Custom size to function with irrigation & drainage (note size of plumbing fixture to be used)

Concrete Color

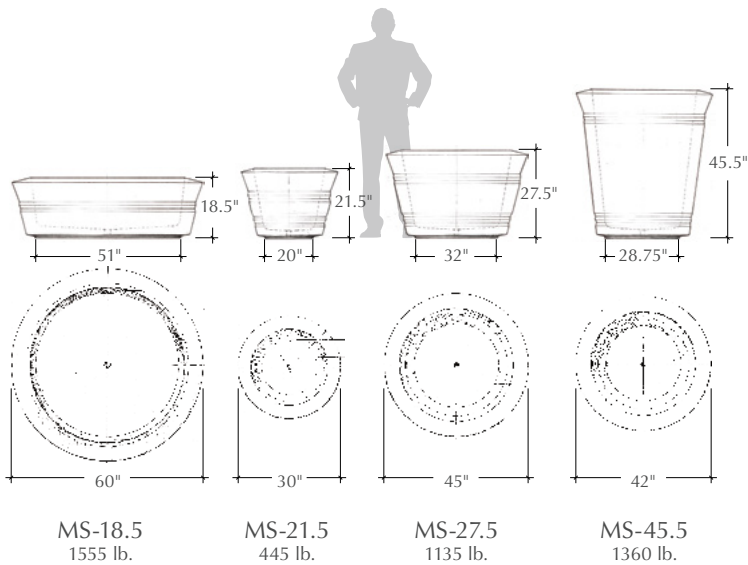
- Natural gray concrete
- Choose integral pigment color from Davis Colors (www.daviscolors.com), call/email us for a Davis Colors selector brochure
- Custom color mixing available

Finishing

- Bituminous sealer (suggested for interior applications)
- Sandblast finish

Notes

- See website to download CSI specifications
- Upcharges will apply for colors, sandblasting, sealer, and extra drain holes



All weights are approximate

In 2008©, Larry Kornegay designed the Masaru Series exclusively for Kornegay Design® LLC, a Landscapeforms® company

v. 2018.03.27