



a landscapeforms® company

Larkspur Series LANDSCAPE CONTAINERS

Big square landscape container meets soft, round form.



TO SPECIFY

Select the LS product number along with the options below.

Drainage

- Standard diameter hole: approximately 2-3/8"
- Custom size to function with irrigation & drainage (note size of plumbing fixture to be used)

Concrete Color

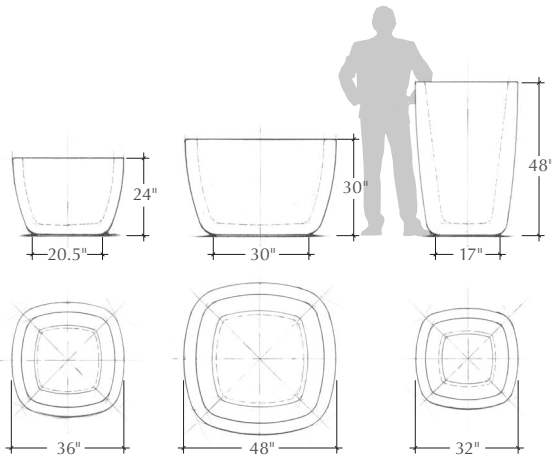
- Natural gray concrete
- Choose integral pigment color from Davis Colors, call/email us for a Davis Colors selector brochure
- Custom color mixing available

Finishing

- Bituminous sealer (suggested for interior applications)
- Sandblast finish

Notes

- Contact us for CSI specifications
- Contact us for CAD Drawings
- Contact us for 3D SketchUp Models
- Upcharges will apply for colors, sandblasting, sealer, and extra drain holes



LS-24
800 lb.

LS-30
1707 lb.

LS-48
1432 lb.

All weights are approximate

In 2012, Larry Kornegay designed the Larkspur Series exclusively for Kornegay Design® LLC, a Landscape Forms® company

v. 2018.07.24