



a landscapeforms® company

Cirque® Series COMMERCIAL RECEPTACLES

Round architectural landscape container with 24 vertical facets, and clear powder-coated spun aluminum lid.



TO SPECIFY

Select the CS product number along with the options below.

Concrete Color

- Natural gray concrete
- 9 standard color options available
- Additional color mixing available

Finishing

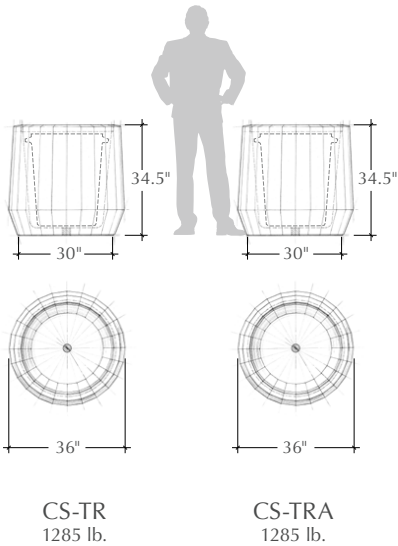
- Sandblast finish

Lids

- Model CS-TR is a trash only lid
- Model CS-TRA is a trash lid with an ash disposal channel

Notes

- A 32-gallon heavy-duty plastic waste can is included
- Metal components fitted with security chains
- Matching Cirque Landscape Containers
- Contact us for CSI specifications
- Upcharges will apply for colors, sandblasting, sealer, and extra drain holes



Trash Only Lid



Trash & Ash Lid

All weights are approximate

In 2017, Larry Kornegay designed the Cirque® Series exclusively for Kornegay Design® LLC, a Landscape Forms® company | Patent D779,372

v. 2021.03.29