



a landscapeforms® company

# Faceted Series LANDSCAPE CONTAINERS

Tapered landscape container with faceted sides.



## TO SPECIFY

Select the FS product number along with the options below.

### Drainage

- Standard diameter hole: approximately 2-3/8"
- Custom size to function with irrigation & drainage (note size of plumbing fixture to be used)

### Concrete Color

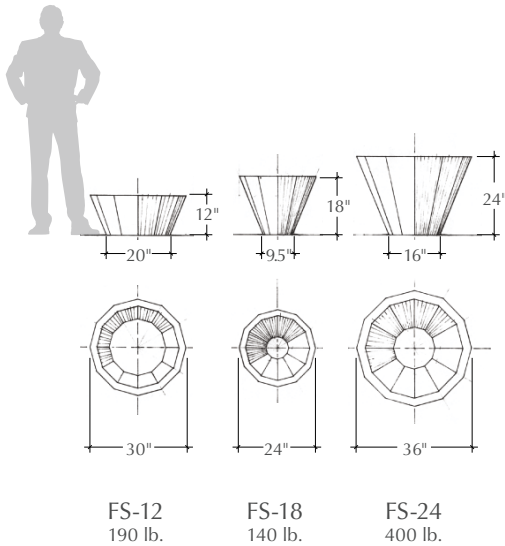
- Natural gray concrete
- 9 standard color options available
- Additional color mixing available

### Finishing

- Bituminous sealer (suggested for interior applications)
- Sandblast finish

### Notes

- See website to download CSI specifications
- Upcharges will apply for colors, sandblasting, sealer, and extra drain holes



All weights are approximate

In 1999, Larry Kornegay designed the Faceted Series exclusively for Kornegay Design® LLC, a Landscape Forms® company

v. 2021.03.29