



a landscapeforms® company

Cirque® Series LANDSCAPE PLANTERS

Round architectural landscape planter with 24 vertical facets.



TO SPECIFY

Select the CS product number along with the options below.

Drainage

- Standard diameter hole: approximately 2-3/8"
- Custom size to function with irrigation & drainage (note size of plumbing fixture to be used)

Concrete Color

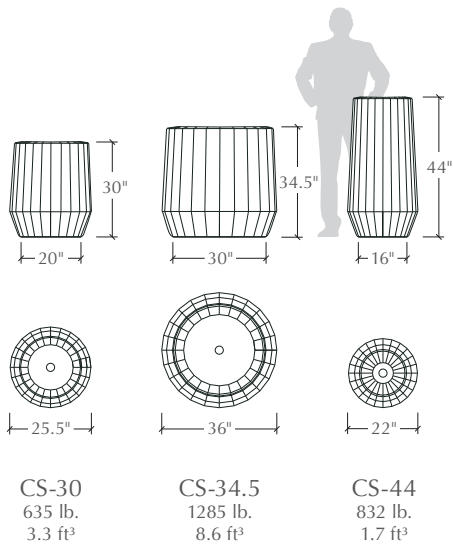
- Natural gray concrete
- 9 standard color options available
- Additional color mixing available

Finishing

- Bituminous sealer (suggested for interior applications)
- Sandblast finish

Notes

- Matching Cirque Litter & Ash Receptacles
- Contact us for CSI specifications
- Contact us for CAD Drawings
- Prices vary based on color, sandblasting, sealer and extra drain holes



All weights are approximate. Volume is calculated 1" down from the top surface of the planter.

In 2017, Larry Kornegay designed the Cirque® Series exclusively for Kornegay Design® LLC, a Landscape Forms® company | Patent D779,372

v. 2022.06.10