



a landscapeforms® company

## Faceted Series LANDSCAPE PLANTERS

Tapered landscape planter with faceted sides.



### TO SPECIFY

Select the FS product number along with the options below.

#### Drainage

- Standard diameter hole: approximately 2-3/8"
- Custom size to function with irrigation & drainage (note size of plumbing fixture to be used)

#### Concrete Color

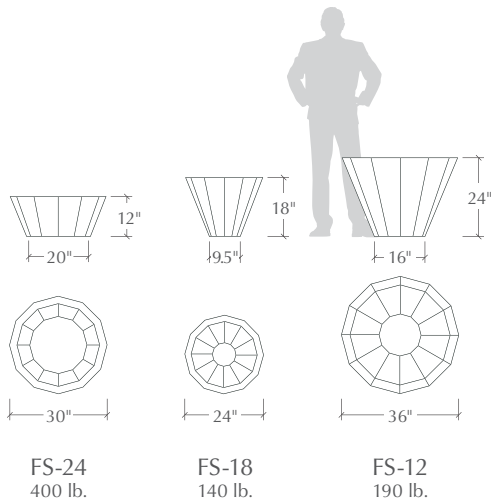
- Natural gray concrete
- 9 standard color options available
- Additional color mixing available

#### Finishing

- Bituminous sealer (suggested for interior applications)
- Sandblast finish

#### Notes

- See website to download CSI specifications
- Prices vary based on color, sandblasting, sealer and extra drain holes



All weights are approximate

In 1999, Larry Kornegay designed the Faceted Series exclusively for Kornegay Design® LLC, a Landscape Forms® company

v. 2022.01.03