



a landscapeforms® company

Nutshell Series LANDSCAPE PLANTERS

Round landscape planter with intricate nutshell surface pattern.



TO SPECIFY

Select the NS product number along with the options below.

Drainage

- Standard diameter hole: approximately 2-3/8"
- Custom size to function with irrigation & drainage (note size of plumbing fixture to be used)

Concrete Color

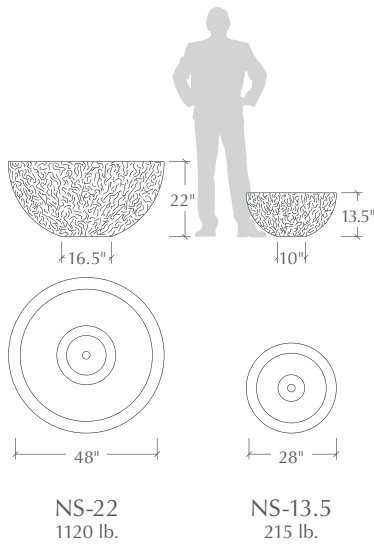
- Natural gray concrete
- 9 standard color options available
- Additional color mixing available

Finishing

- Bituminous sealer (suggested for interior applications)
- Sandblast finish

Notes

- See website to download CSI specifications
- Prices vary based on color, sandblasting, sealer and extra drain holes



NS-22
1120 lb.

NS-13.5
215 lb.

All weights are approximate

In 2001, Larry Kornegay designed the Nutshell Series exclusively for Kornegay Design® LLC, a Landscape Forms® company

v. 2022.01.03