



a landscapeforms® company

Paseos Line LANDSCAPE PLANTERS & SEATING

Designed by ceramicist Claudia Issa, Paseos are public scale, cast concrete elements that capture a kinetic energy.



TO SPECIFY

Select the PS product number along with the options below.

Drainage

- Standard diameter hole: approximately 2-3/8"
- Custom size to function with irrigation & drainage (note size of plumbing fixture to be used)

Concrete Color

- Natural gray concrete
- 9 standard color options available
- Additional color mixing available

Finishing

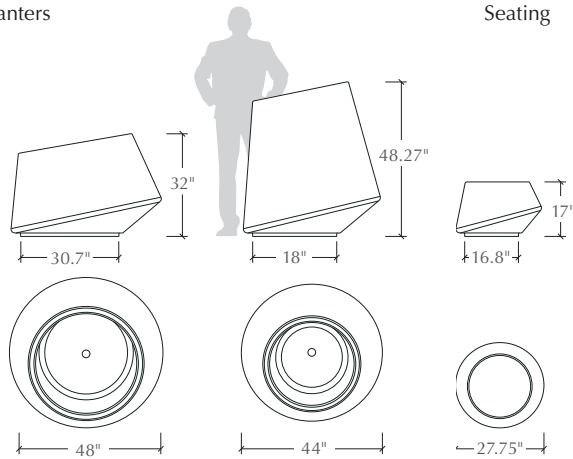
- Bituminous sealer (suggested for interior applications)
- Sandblast finish

Notes

- See website to download CSI specifications
- Prices vary based on color, sandblasting, sealer and extra drain holes

Planters

Seating



PS-32
1930 lb.

PS-48
2627 lb.

PS-17
625 lb.

All weights are approximate

In 2020, Claudia Issa, designed the Paseos Line exclusively for Kornegay Design® LLC, a Landscape Forms® company

v. 2022.01.03