



a landscapeforms® company

## Dune Series COMMERCIAL LITTER RECEPTACLES

Round litter receptacles with curvilinear rim, and clear powder-coated spun aluminum lid.



### TO SPECIFY

Select the DS product number along with the options below.

#### Concrete Color

- Natural gray concrete
- 9 standard color options available
- Additional color mixing available

#### Finishing

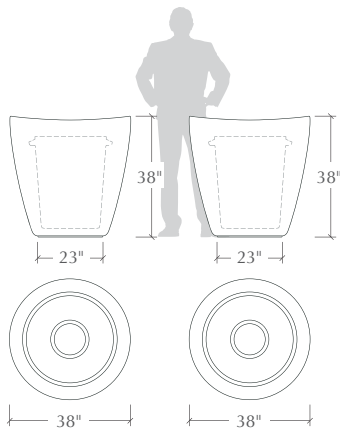
- Sandblast finish

#### Lids

- Model DS-TR is a litter only lid
- Model DS-TRA is a litter lid with an ash disposal channel

#### Notes

- A 32-gallon heavy-duty plastic litter can is included
- Metal components fitted with security chains
- Matching Dune Landscape Containers
- See website to download CSI specifications
- Prices vary based on color, sandblasting, sealer and extra drain holes



Litter Only Lid

Litter & Ash Lid

DS-TR  
1415 lb.

DS-TRA  
1415 lb.



Litter Only Lid

Litter & Ash Lid

All weights are approximate

In 2007©, Larry Kornegay designed the Dune Litter Receptacle exclusively for Kornegay Design® LLC, a Landscape Forms® company

v. 2022.01.03